



HAKO

Clean ahead

Assembly manual

Overhead guard (7181.05)

Introduction

Foreword

This assembly manual may be used only in conjunction with the operating manual of the machine.

Safety instructions

Please observe the general safety regulations of the corresponding machine in the relevant operating manual. Place the machine on a level surface and secure it with the parking brake. Switch the machine off and pull out the key.

We would expressly advise you that no legal claims may be asserted based on the contents of this manual. In the case of necessary repair work, please make sure that only original spare parts are used. Only original spare parts guarantee constant and reliable operational readiness of your machine. We reserve the right to make changes in the interests of further technical development.

Valid as from: June 2018

Hako GmbH
23843 Bad Oldesloe, Germany
Hamburger Str. 209-239
Phone +49 4531 806-0

1 Overhead guard

1.1 Parts list

- 1 1x overhead guard
 - Right front bar (Fig. 1/1A)
 - Left front bar (Fig. 1/1B)
 - Right rear bar (Fig. 1/1C)
 - Left rear bar (Fig. 1/1D)
 - Frame (Fig. 1/1E)
 - Front roof (Fig. 1/1F)
 - Rear roof (Fig. 1/1G)
 - Sealing strip
 - Standard parts
- 2 2x hex bolts M12x120
- 3 6x washers 13
- 4 4x hex bolts M10x20
- 5 4x detent edge washers SKM10
- 6 2x sealing plugs F 12 SW
- 7 1x cover plate

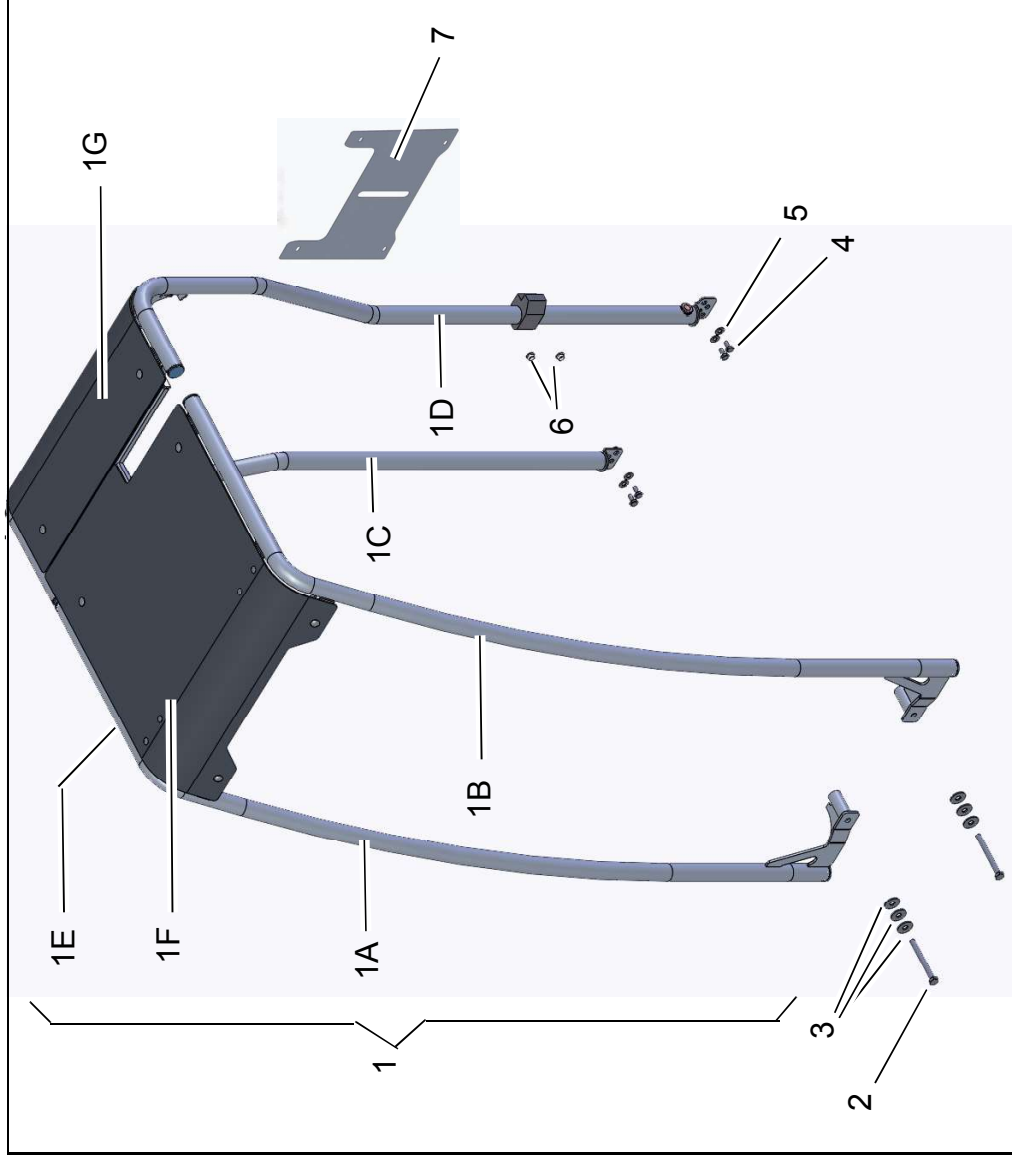


Fig. 1

Overhead guard

1.3 Before installation

1. Remove side panelling with provided wrench (Fig. 2/1).
2. Swivel seat console all the way upwards (Fig. 2/2).
3. Remove cover (Fig. 2/3).
4. Unscrew seat bearing (Fig. 2/4).
5. Remove battery at lifting points (Fig. 2/5) using suitable lifting gear.

Attention



Before removing the batteries, the safety instructions in the operating manual of the B175 R must be read and observed!

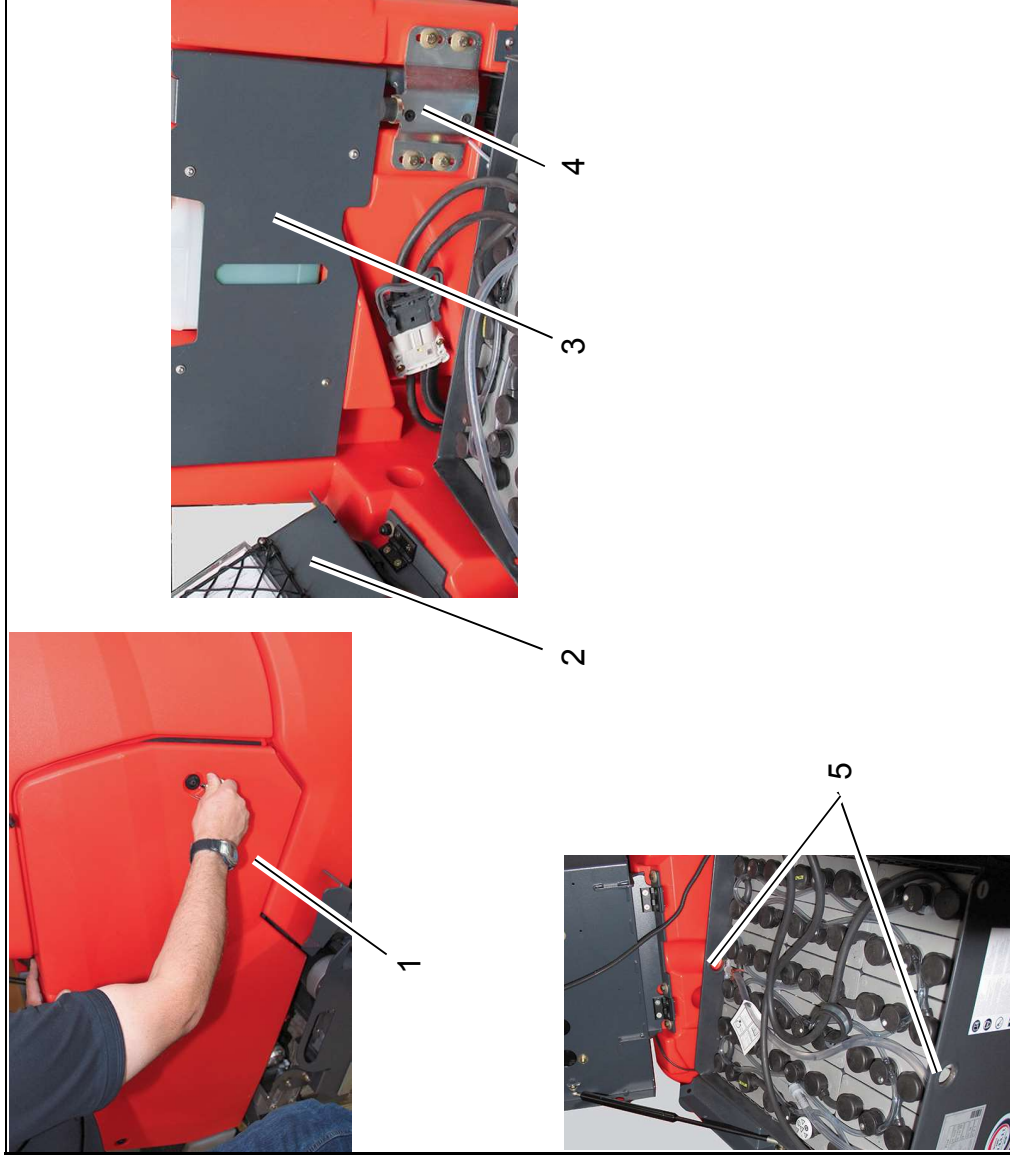


Fig. 2

1.4 Installing the bars

1. Insert the six sealing plugs into the open ends of the four bars (Fig. 3/1).
2. Attach the two front bars (Fig. 3/2) with the M12x120 screws and the six washers to the chassis finger-tight (Fig. 3/3).
3. Attach each of the two rear bars (Fig. 3/4) to the chassis with two M10x20 hex screws and the SKM 10 detent edge washers (tighten finger-tight) (Fig. 3/5).

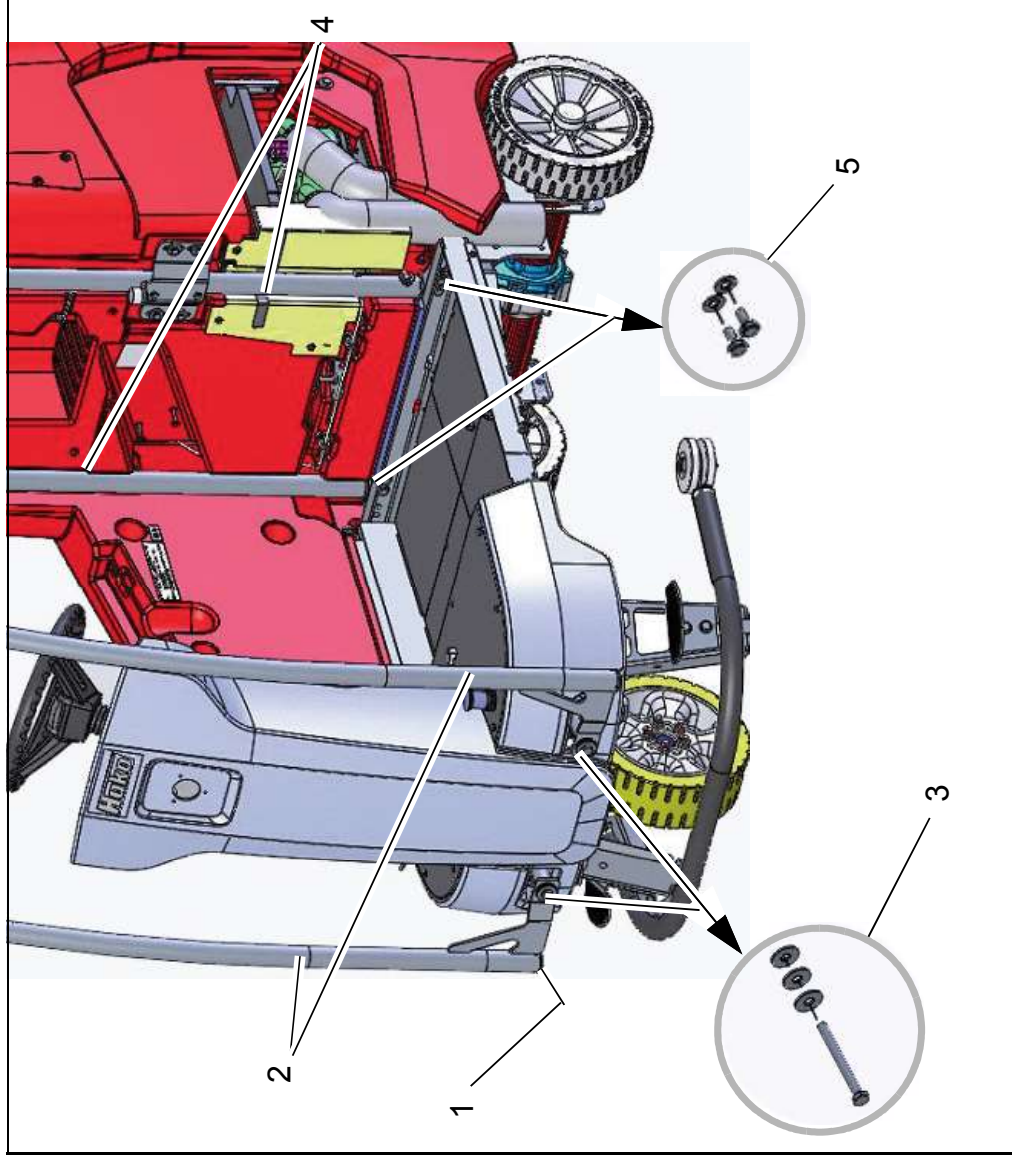


Fig. 3

Overhead guard

1.5 Frame installation

1. Position the frame (Fig. 4/1) between the front and rear bars as per the illustration and attach to the bars with the eight M6x20 cylinder head screws (secure with Loctite type 243) and detent edge washers (Fig. 4/2).
2. Align the overhead guard and attach the fastening bolts (M10) to the rear-end of the machine with tightening torque of 49 Nm and in the front (M12) with 85 Nm.

1.6 Sealing strip installation



Clean the surfaces to which the sealing strip will be attached with a clean cleaning cloth and solvent. After cleaning, allow the surfaces to air for approx. 10 minutes.

1. Affix the two long sealing strips (shown in red) to the frame.
2. Affix the 20 small sealing strips (shown in blue) to the surfaces as per the illustration.

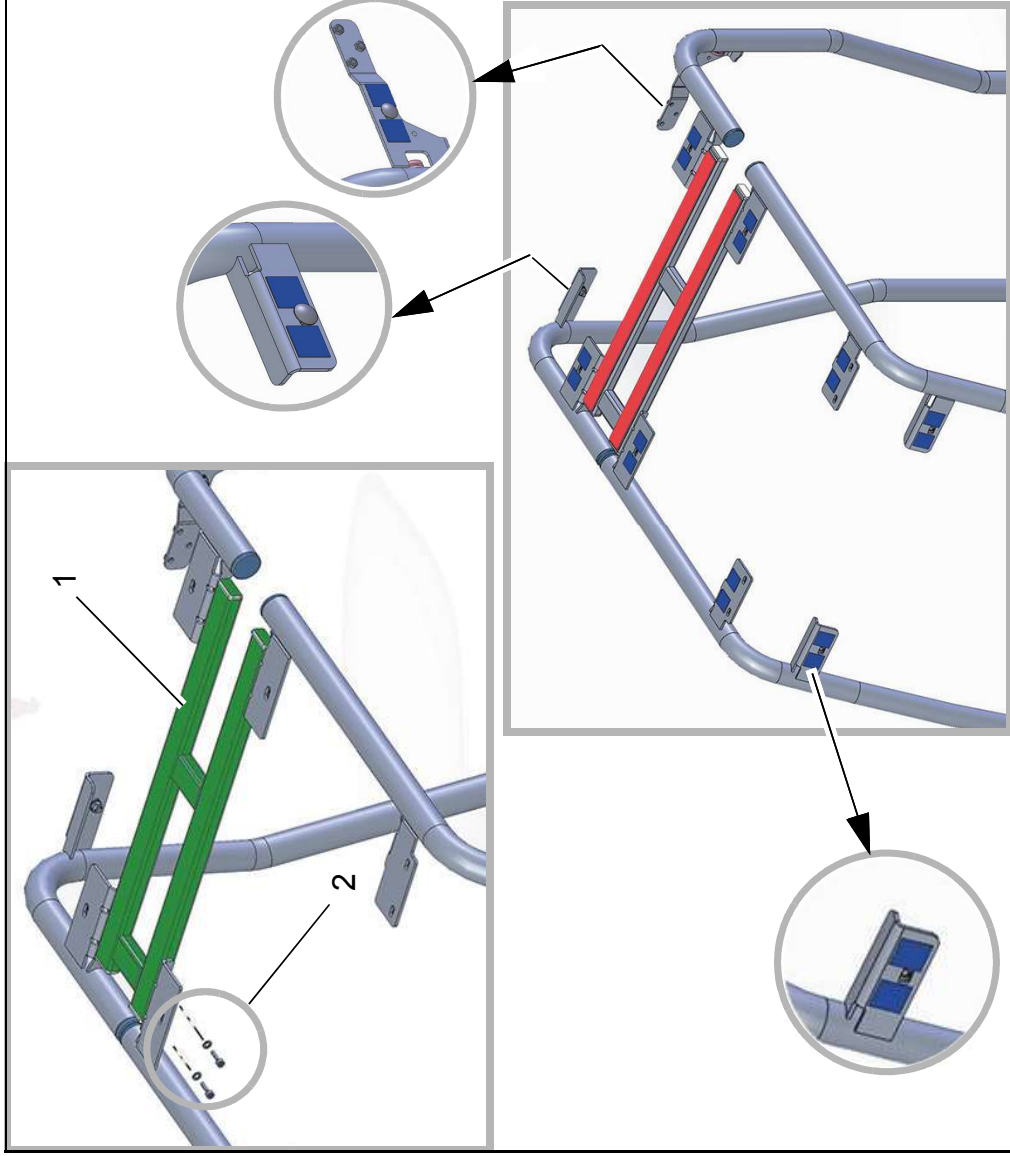


Fig. 4

1.7 Roof installation

1. Attach the front roof (Fig. 5/1) to the two front bars with four M6x20 flat round screws, washers, M6 nuts (Fig. 5/2) and four M8x20 flat round screws, washers and M8 nuts (Fig. 5/3).
2. Attach the rear roof (Fig. 5/4) with four M8x20 flat round screws, washers and M8 nuts to the two rear bars.

1.8 Cover plate installation

Fit cover plate (Fig. 5/5) to the hopper using the existing M6x10 flanged button head bolts (Fig. 5/6).

1.9 Clamping piece and seat bearing installation

1. Insert sealing plugs F 12 (Fig. 5/7) into the holes of the seat bearing (Fig. 5/8).
2. Position clamping piece (Fig. 5/9) at left rear bar so that is located between the two sealing plugs.
3. Align seat bearing so that the seat plate is parallel to the chassis.
4. Tighten screws (Fig. 5/10) with tightening torque of 15 Nm.

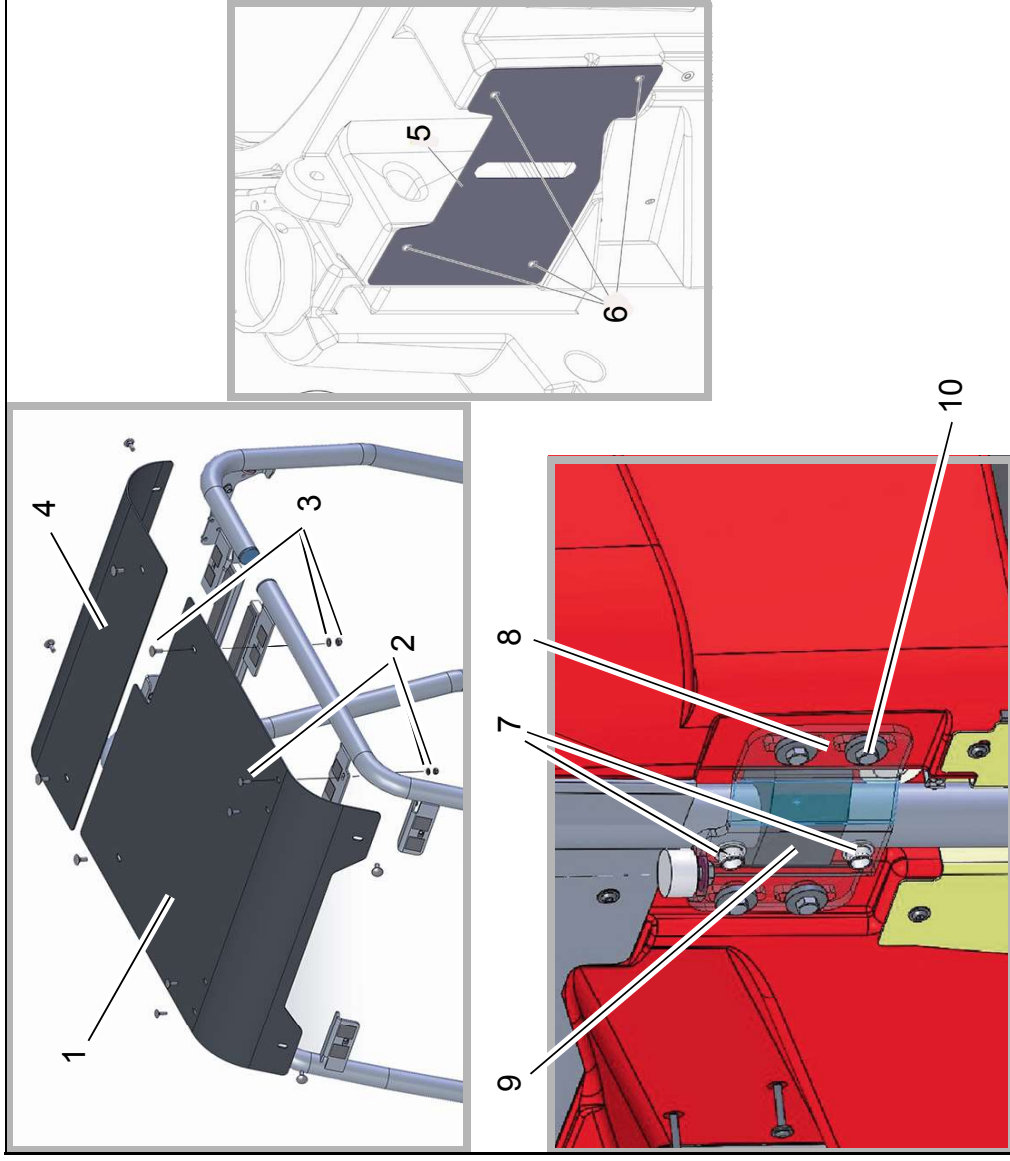


Fig. 5



Clean ahead

Advanced Technology for a Cleaner, Better Environment



Hako GmbH · Head Office · Hamburger Str. 209-239 · 23843 Bad Oldesloe, Germany
Phone +49 4531 806-0 · Fax +49 4531 806-338